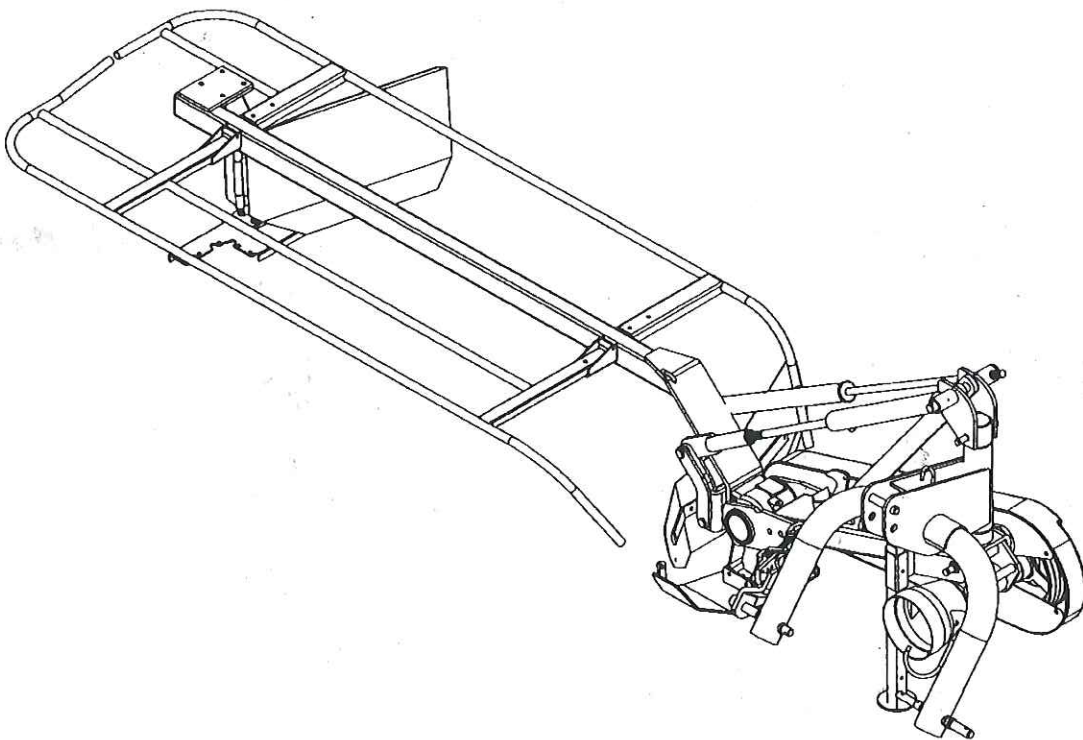


HAYMASTER®

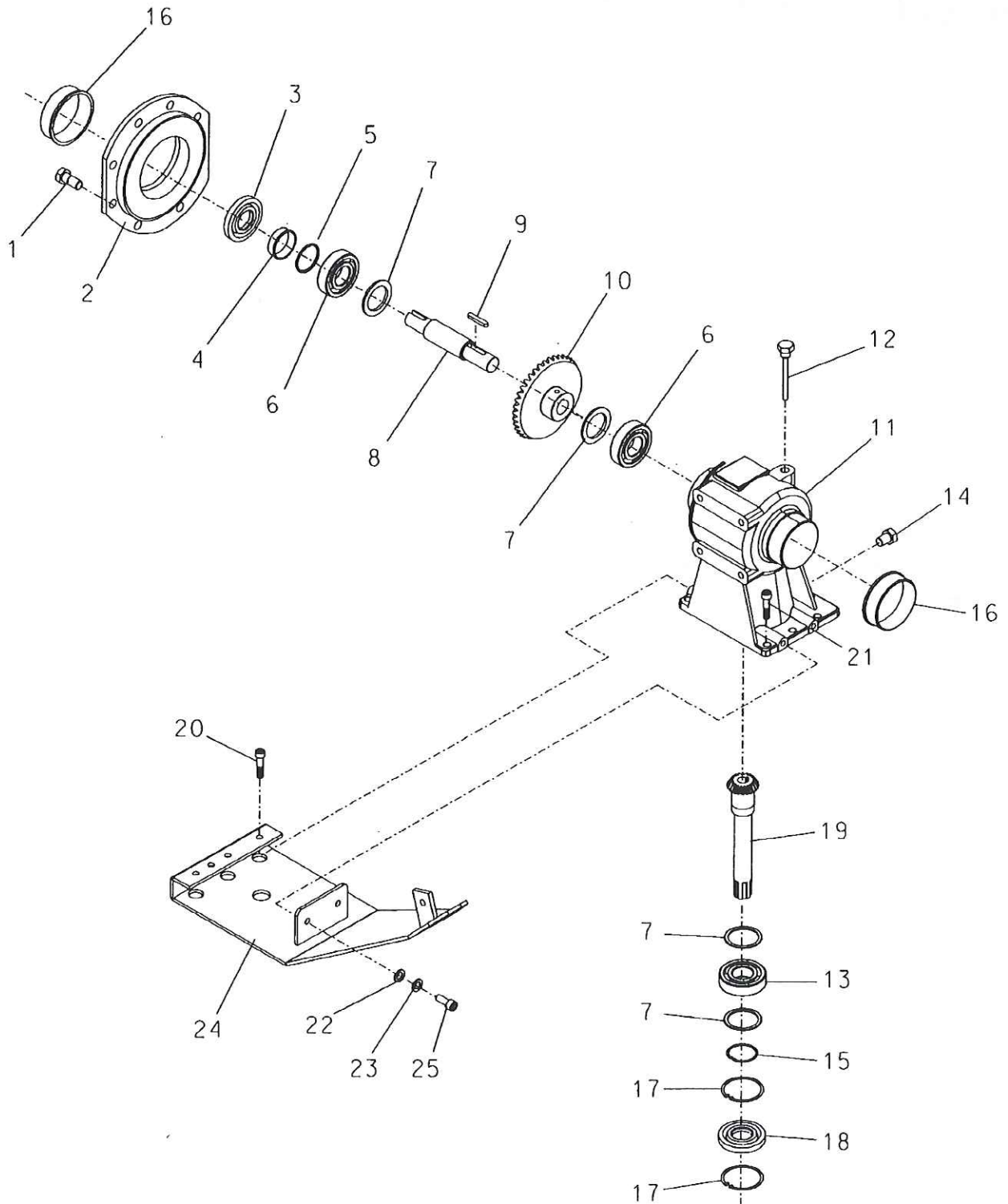
DISC MOWER 210 - 245 - 285 - 320



Thutti (Curtis) Black Bar Machine 2012
+ newer

PARTS LIST

SECONDARY TRANSMISSION GEAR BOX

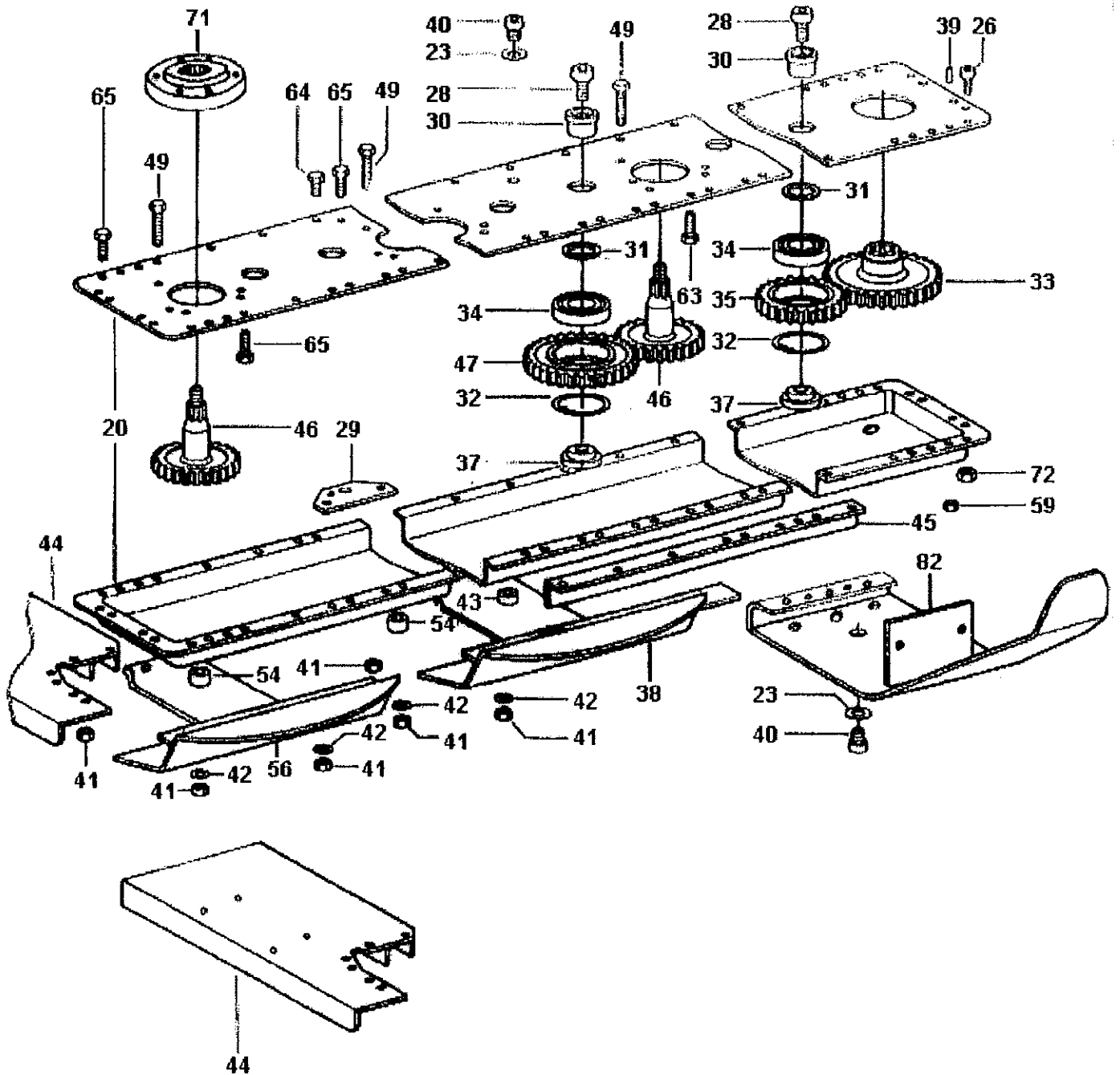


Tornati (centri) Black-Bar Machine 2015

SECONDARY TRANSMISSION GEAR BOX

N#	CODE#	DESCRIPTION	Q.TY
1	C654A001	SCREW T.E. M 10x 22 8.8 UNI5739	8
2	F654A002	COVER	1
3	C654A003	RETAINING RING	1
4	F654A004	BUSHING OR	1
5	C654A005	GASKET T2-126	1
6	C654A006	BEARING ROLLER 30207	2
7	F654A007	SPACER 35.3x48.0	4
8	F654A008	SHAFT	1
9	C654A009	PLATE 10x8x35	1
10	F654A010	CROWN CONICAL	1
11	F654A011	BOX	1
12	F654A012	OIL CAP LEVER 3/8 GAS	1
13	C654A013	BALL BEARING 6307	1
14	C654A014	OUTLET PLUG 3/8 GAS	1
15	C654A015	RING FOR SHAFT 35	1
16	F654A016	BUSHING	2
17	C654A017	RING FOR SHAFT 35	2
18	C654A018	RETAINING RING 35X80X10	1
19	F654A019	SHAFT WITH PINION	1
20	C654B066	SCREW TCIE M12x5012.9 UNI5931	3
21	C654B067	SCREW T.C.E.I. M12x40 12.9 UNI5931	5
22	F654F005	WASHER M10 zn UNI6592 zn	4
23	F654F004	WASHER SCHNORR M10 zn UNI 8842-A	4
24	F654B082	SUPPORT SLIDING DM	1
25	C654A257	SCREW T.C.E.I. M 10x 22 12.9 UNI5931	2

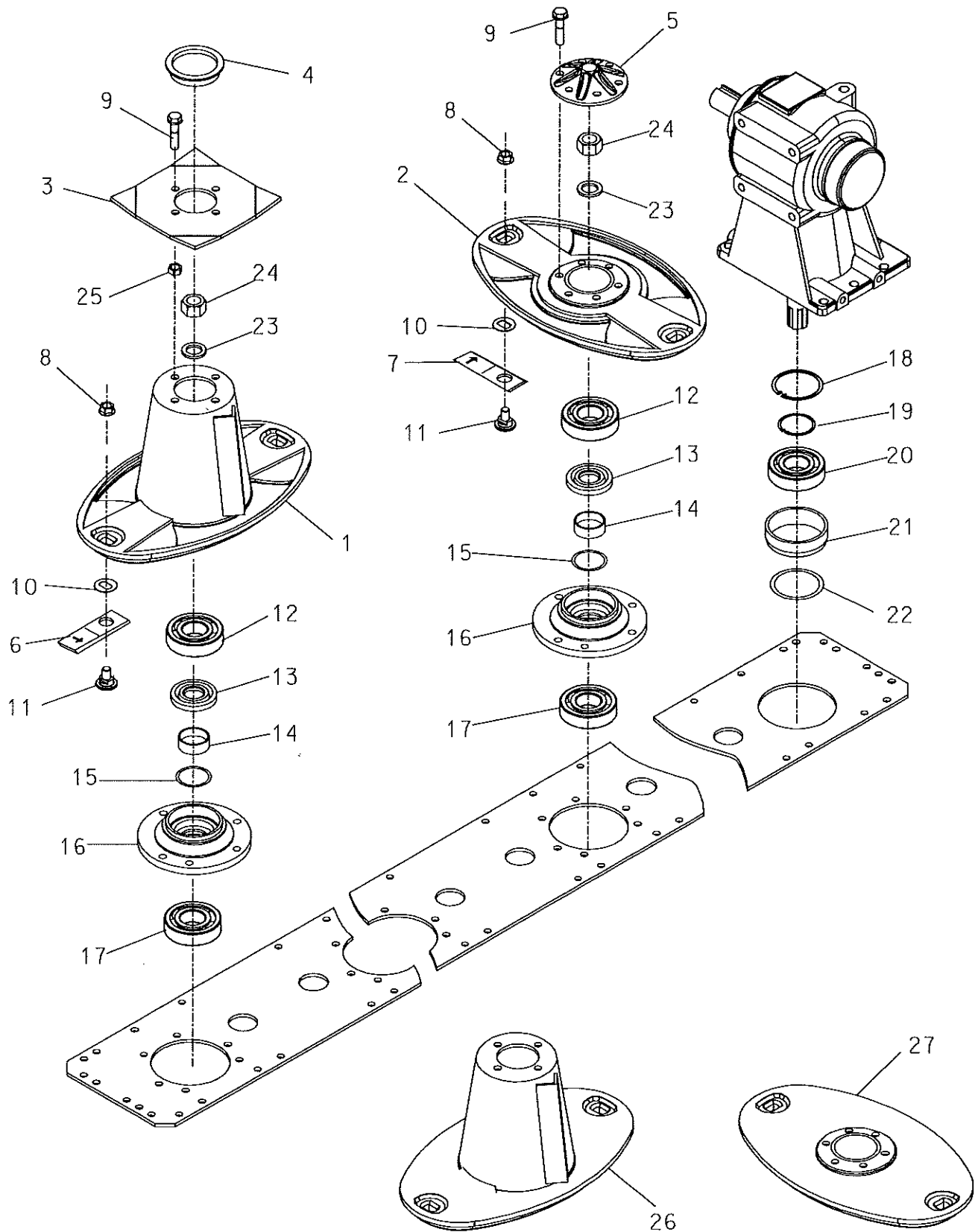
CUTTER BAR



CUTTER BAR

N#	CODE#	DESCRIPTION	Q.TY
20	F654B020A	COVER 210	1
20	F654B020B	BATH 210	1
20	F654B020C	COVER 245	1
20	F654B020D	BATH 245	1
20	F654B020E	COVER 285	1
20	F654B020F	BATH 285	1
20	F654B020G	COVER 320	1
20	F654B020H	BATH 320	1
23	C654A023	WASHER FOR SCREW 17x22x1.5	3
26	C654A026	SCREW T.C.E.I. M8x25 DIN7984	4
28	F654A028	SCREW T.C.E.I. M20x30	12
29	F654A029	SUPPORT FOR HOOK	1
30	F654A030	BUSHING FOR BEARING	12
31	F654A031	SPACER 40.3x5.1	12
32	F654A032	ELASTIC RING FOR SHAFT	12
33	F654A033	GEARS	1
34	C654A034	BEARING 6208 C3	12
35	F654A035	GEAR IDLE	2
37	F654A037	THREATHED BUSHING	12
38	F654B038	SKID SUPPORT	1
39	C654A039	SPRING PIN 10X12 D1481	2
40	F654A040	HEX. PLUG 3/8 GAS	2
41	C654A041	HEX NUT M10 M 10 UNI5587 zn	86
42	F654A042	BELLEVILLE SPRING 20X10, 2X1,1	5
43	F654A043	SPACER 11.3x21.3x7	2
44	F654B044	SUPPORT FOR SIDE CONVEYOR	1
45	F654B045A	REAR SUPPORT 210	1
45	F654B045B	REAR SUPPORT 245	1
45	F654B045C	REAR SUPPORT 285	1
45	F654B045D	REAR SUPPORT 320	1
46	C654A046	ASSEMBLED GEAR	6
47	C654A047	GEAR IDLE	8
49	F654A049	SCREW M10X52	5
54	F654A054	SPACER 11.3x21.3x15	3
56	F654B056	SLIDING SUPPORT	5
59	C654A059	HEX. NUT M8 UNI5588 zn	4
63	F654A063	SCREW FOR LOW BATH	3
64	F654A064	SCREW FOR BATH M10x20	24
65	F654A065	SCREW FOR BATH M10x30	49
71	F654B071	BUSHING ASSEMBLE INSIDE	6
72	C654B072	HEX. NUT M12 UNI5588 zn	8
82	F654B082	FRONT SUPPORT	1

ROTARY BLADES



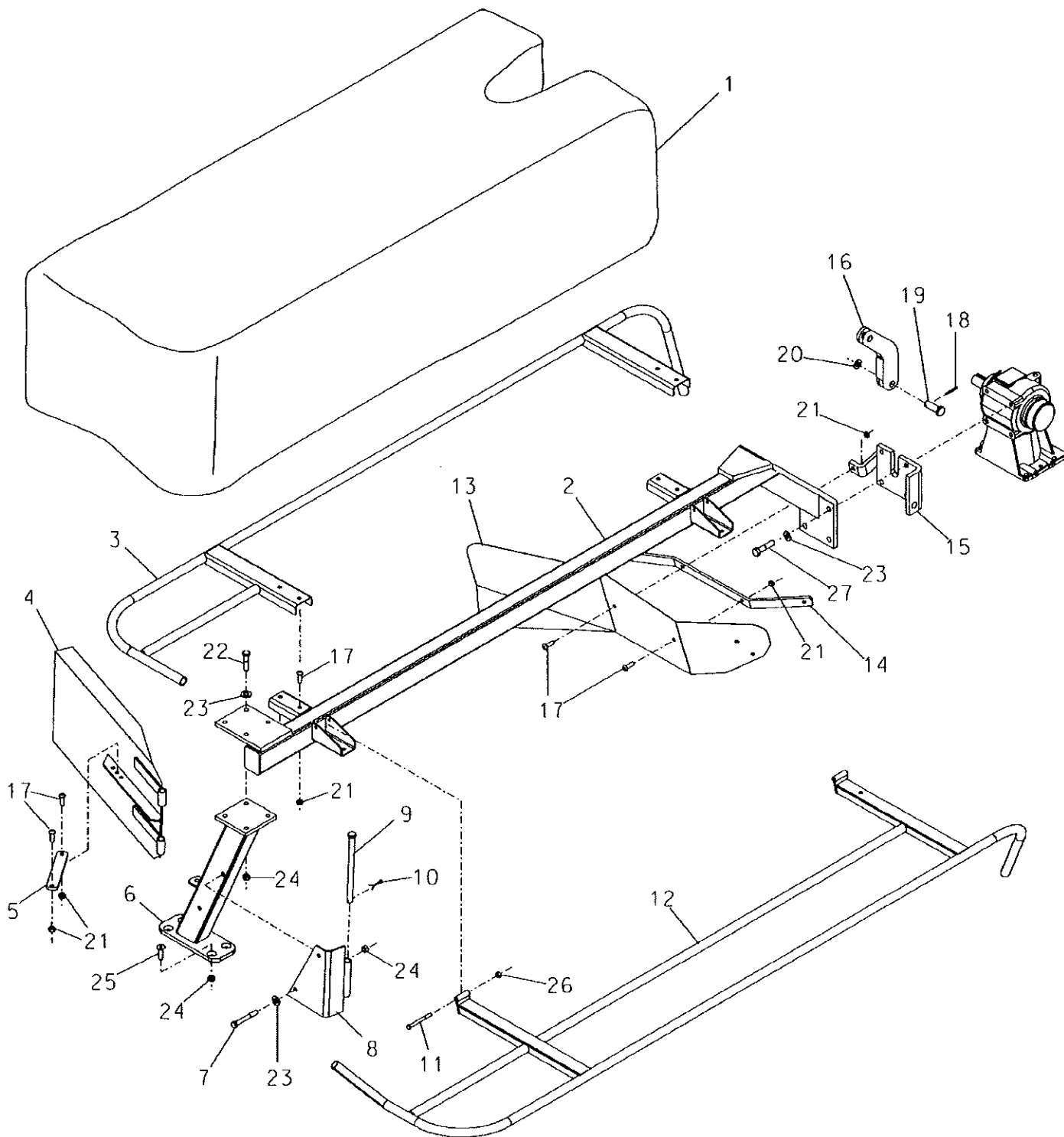
ROTARY BLADES

N#	CODE#	DESCRIPTION	Q.TY
1	F654B021	PLATE WITH CAN	2
2	F654B058	DISC PLATE	4
3	F654B074	CONVEAR HAT	1
4	F654A055	COVER	2
5	F654B062	COVER FOR DISC	6
6	F654B077	CUTTER L.H.	6
7	F654B078	CUTTER R.H.	6
8	F654B076	FLANGE NUT M12 DIN6923	12
9	F654F026	FLANGE SCREWHEAD M10x20	10
10	F654B079	WASHER FOR CUTTER	12
11	F654B080	PIVOT FOR CUTTER	12
12	C654B057	BEARING 6206 2RS C3	6
13	C654A053	RETAINING RING 40x56x8	6
14	F654A052	SPACER FOR OR	6
15	C654A051	GASKET OR-3112	6
16	F654A050	SUPPORT FOR BEARING	6
17	C654B048	BEARING 6306 2Z C3	6
18	C654A022	RING FOR HOLE D. 80	1
19	C654A024	SEEGER RING	1
20	C654A025	BEARING 6208 C3	1
21	F654A027	BUSHING FOR BEARING	1
22	C654B081	GASKET OR	1
23	C654A060	BELLEVILLE SPRING	6
24	C654A061	NUT HEX SELF LOCKING M18 UNI7473 zn	6
25	F654B075	NUT HEX. M10	4

START FROM THIS SERIAL NUMBER: 654860

N#	CODE#	DESCRIPTION	Q.TY
26	F654B101	NEW PLATE WITH CAN	1
27	F654B100	NEW DISC PLATE	1

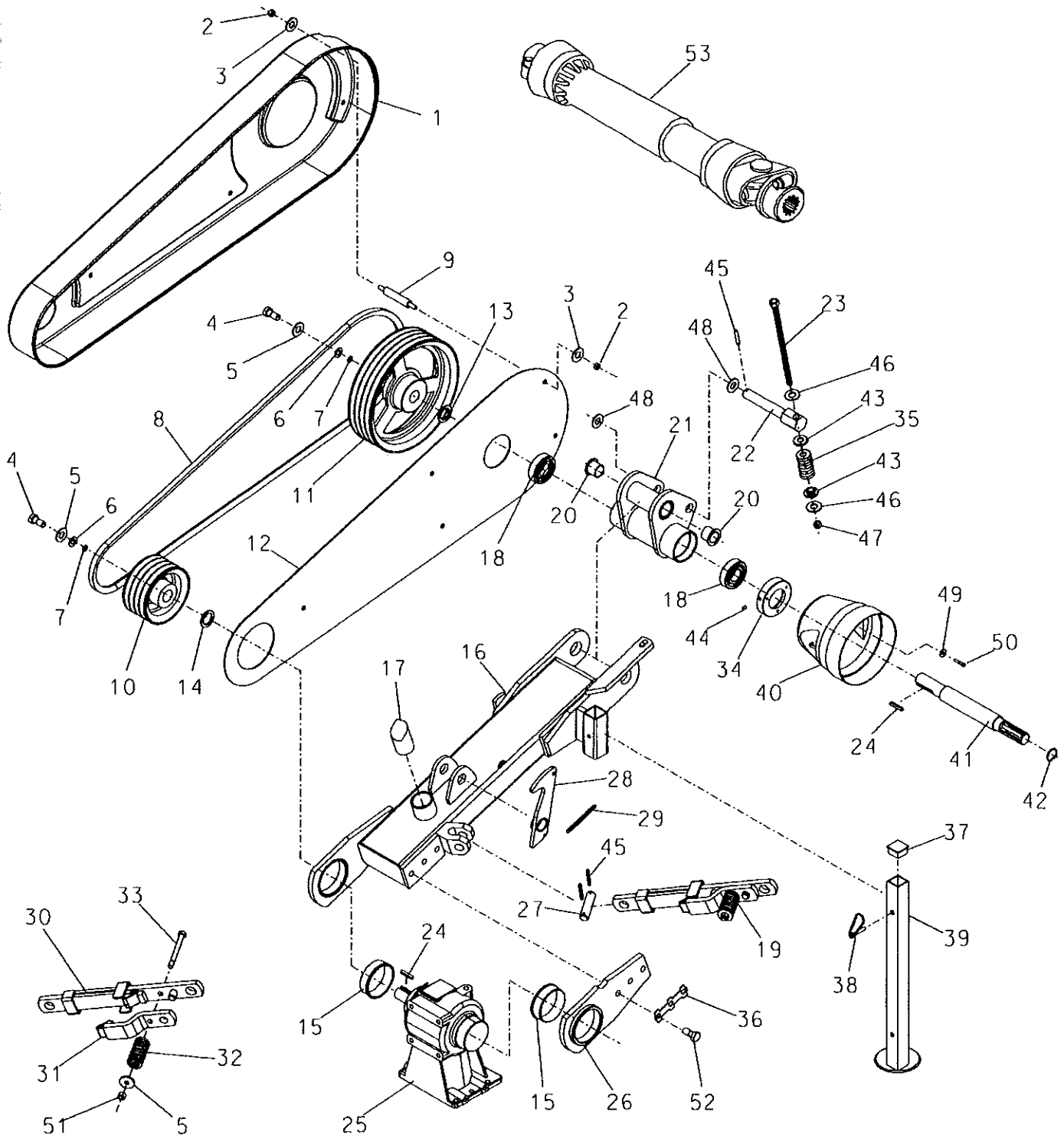
PROTECTION GUARDS



PROTECTION GUARDS

N#	CODE#	DESCRIPTION	Q.TY
1	F654F028	GRAY CLOTH 210	1
1	F654C001	GRAY CLOTH 245	1
1	F654F001	GRAY CLOTH 285	1
1	F654F052	GRAY CLOTH 320	1
2	F654F027	FRAME SUPPORT 210	1
2	F654C002	FRAME SUPPORT 245	1
2	F654F002	FRAME SUPPORT 285	1
2	F654F053	FRAME SUPPORT 320	1
3	F654F021	REAR PROTECTION 210	1
3	F654F015	REAR PROTECTION 245	1
3	F654F003	REAR PROTECTION 285	1
3	F654F054	REAR PROTECTION 320	1
4	F654C004	EXTERNAL WINDROW DEFLECTOR	1
5	F654C005	BLADE FOR WINDROW MAKER	1
6	F654C006	SUPPORT	1
7	F654C007	SCREW T.E. M12x90 UNI5737 zn	2
8	F654C008	ATTACHMENT FOR WINDROW MAKER	1
9	F654C009	PIN FOR WINDROW MAKER	1
10	F654C010	COTTER PIN 5	1
11	F654C011	SCREW T.E. M8x80 UNI5737 zn	2
12	F654F025	FRONT PROTECTION 210	1
12	F654F017	FRONT PROTECTION 245	1
12	F654F012	FRONT PROTECTION 285	1
12	F654F055	FRONT PROTECTION 320	1
13	F654C013	INSIDE WINDROW DEFLECTOR	1
14	F654C014	BLADE FOR INSIDE WINDROW MAKER	1
15	F654C015	PLATE FOR BOOMERANG	1
16	F654C016	BOOMERANG	1
17	F654C017	SCREW M10x30 UNI-ISO7380	11
18	F654C018	SPRING PIN d= 6x50 UNI6873	1
19	F654C019	PIN FOR BOOMERANG	1
20	F654C020	WASHER 26-21x3	1
21	F654C021	SELF LOCKING NUT M10 UNI7473 zn	11
22	F654C022	SCREW M12x45 UNI5739 zn	4
23	F654C023	WASHER M12 UNI6592 zn	12
24	F654C024	SELF LOCKING NUT M12 UNI7473 zn	4
25	F654C025	SCREW T.S.E.I. M12x40 UNI5933	4
26	F654F007	SELF LOCKING NUT M8 UNI7473 zn	2
27	F654C027	SCREW T.E. M12x50 UNI5737 zn	4

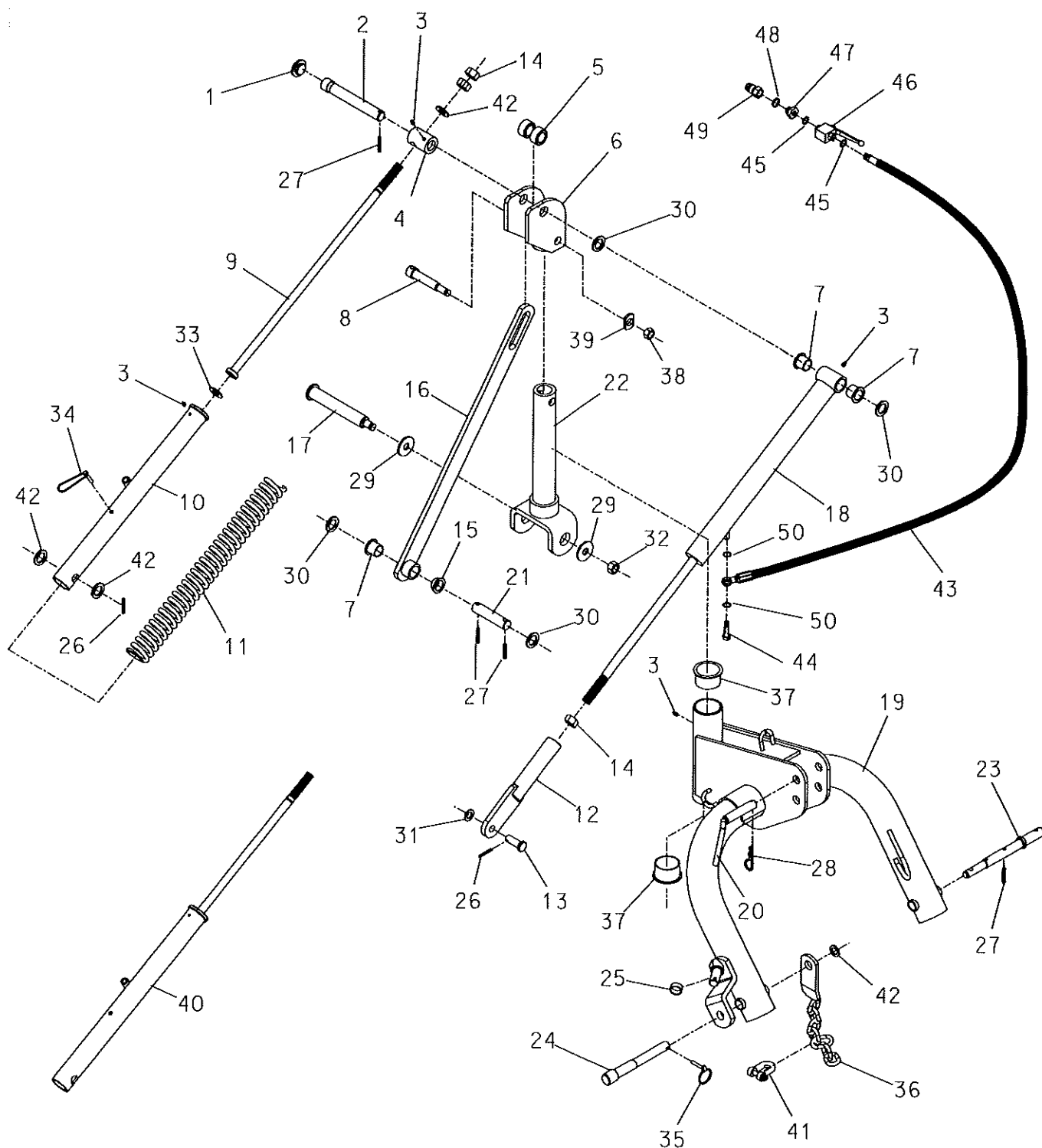
GEAR BOX



GEAR BOX

N#	CODE#	DESCRIPTION	Q.TY
1	F654D001	PLASTIC GUARD	1
2	F654D002	NUT HEX SELF LOCKING M10 UNI7473 zn	10
3	F654D003	WASHER M12 UNI6592 zn	10
4	F654D004	SCREW T.E. M12x35 UNI5739	2
5	F654D005	WASHER 40-13 x 6	3
6	F654D006	LOCK WASHER M12 UNI8840	2
7	F654D007	WASHER SCHNORR M12 zn UNI 8842-A	2
8	F654D008	BELT	4
9	F654D009	THREADED PIN	5
10	F654D010	SMALL PULLEY	1
11	F654D011	BIG PULLEY	1
12	F654D012	REAR GUARD	1
13	F654D013	SPACER 48-36 x 2	1
14	F654D014	SPACER 48-36 x 4	1
15	F654D015	PLASTIC BUSHING	2
16	F654D016	SUPPORT	1
17	F654D017	RUBBER PAWL	1
18	F654D018	BEARING 80x35x21	2
19	F654D019	SAFETY ASSEMBLED	1
20	F654D020	PLASTIC BUSHING	2
21	F654D021	MAIN PIVOTING	1
22	F654D022	HEXAGONAL PIN	1
23	F654D023	THREADED TURNBUCKLE	1
24	F654D024	KEY 10x8x5	2
25	F654D025	GROUP	1
26	F654D026	BUCKET	1
27	F654D027	SECURITY PIN	1
28	F654D028	SAFETY BURNER	1
29	F654D029	SPRING FOR BURNER	1
30	F654D030	SAFETY FOR CURVE	1
31	F654D031	SAFETY HOOK FOR CURVE	1
32	F654D032	SAFETY SPRING FOR CURVE	1
33	F654D033	SCREW T.E. M12x150 UNI5737 zn	1
34	F654D034	ATTACH FOR GUARD	1
35	F654D035	SPRING FOR BACKSTAND	1
36	F654D036	CLAMP FOR BOLT	1
37	F654D037	CAP FOR STAND	1
38	F654D038	PIN FOR STAND D=10 l=60	1
39	F654D039	STAND	1
40	F654D040	GUARD	1
41	F654D041	SHAFT	1
42	F654D042	SEEGER RING FOR SHAFT 35	1
43	F654D043	PAWL FOR SPRING	2
44	F654D044	BOLT WITHOUT HEAD M8	3
45	F654D045	SPRING PIN 6x50 UNI6873	3
46	F654D046	WASHER M 12 UNI6592	2
47	F654D047	NUT HEX SELF LOCKING M14 UNI7473 zn	1
48	F654D048	WASHER 47-27x5	2
49	F654D049	WASHER M 8 DIN9021	3
50	F654D050	SCREW T.E. M 6x 16 UNI5739 zn	3
51	F654D051	NUT HEX SELF LOCKING M12 UNI7473 zn	1
52	F654D052	SCREW TE M16x40 UNI 5739 ZINCED	3
53	F654G001	P.T.O. SHAFT	1

MAIN FRAME



HAYMASTER®

MAIN FRAME

N#	CODE#	DESCRIPTION	Q.TY
1	F654E001	PLASTIC CAP	1
2	F654E002	PIVOT	1
3	F654E003	GREASER M8x1	4
4	F654E004	BUSHING FOR TURNBUCKLE	1
5	F654E005	SPACER	2
6	F654E006	ATTACHMENT GUARD	1
7	F654E007	LONG PLASTIC BUSHING	3
8	F654E008	PIVOT FOR GUARD	1
9	F654E009	TURNBUCKLE STAFF	1
10	F654E010	TURNBUCKLE COVER	1
11	F654E011	SPRING FOR TURNBUCKLE STAFF	1
12	F654E012	ATTACHMENT FOR PISTON	1
13	F654E013	PIVOT D30-20	1
14	F654E014	HEX CAP M22 UNI5588 zn	3
15	F654E015	SHORT PLASTIC BUSHING	1
16	F654E016	PLATE FOR TURNBUCKLE	1
17	F654E017	PIVOT FOR SUPPORT PIVOTING	1
18	F654E018	PISTON	1
19	F654E019	COMPLETE CURVE	1
20	F654E020	PIVOT FOR 3PT.HT. WITH HANDLE	1
21	F654E021	PIVOT WITH 2 HOLES	1
22	F654E022	SUPPORT PIVOTING	1
23	F654E023	LIFTING PIVOT L.H.	1
24	F654E024	LIFTING PIVOT R.H.	1
25	F654E025	BUSHING SPACER	1
26	F654E026	SPRING PIN 6x50 UNI6873	2
27	F654E027	SPRING PIN 8x50 UNI6873	4
28	F654E028	COTTER PIN "R" 5	1
29	F654E029	WASHER 60-21x5	2
30	F654E030	WASHER 47-31x5	4
31	F654E031	WASHER 26-21x3	1
32	F654E032	NUT HEX SELF LOCKING M20 UNI7473 zn	1
33	F654E033	WASHER 43.5-23x3.5	1
34	F654E034	PIN WITH TONGUE d=10 l=60	1
35	F654E035	AUTOMATIC PIN D.8	1
36	F654E036	CHAIN ATTACHMENT	1
37	F654E037	PLASTIC BUSHING FOR CURVE	2
38	F654E038	NUT HEX SELF LOCKING M18 UNI7473 zn	1
39	F654E039	WASHER 40-19x6	1
40	F654E040	SHOCK ABSORBER	1
41	F654E041	U SHACKLE D=14	1
42	F654E042	WASHER M24 UNI6592 zn	4
43	F654E043	HOSE SAE 100 R1AT 1/4"	1
44	F654E044	BOLT CABLE BOF 3/8"	1
45	F654E045	WASHER COPPER 1/4"	4
46	F654E046	TAP M/F 1/4"	1
47	F654E047	NIPPLO 1/4"F x 1/2"M	1
48	F654E048	WASHER COPPER 1/2"	1
49	F654E049	FAST FLUI CONNECTOR 1/2"	1
50	F654E050	WASHER COPPER 3/8"	2

NUMERICAL INDEX

PART N#	PAGE N#	REF N#	PART N#	PAGE N#	REF N#	PART N#	PAGE N#	REF N#
C654A001	1	1	F654A033	3	33	F654C007	7	7
C654A003	1	3	F654A035	3	35	F654C008	7	8
C654A005	1	5	F654A037	3	37	F654C009	7	9
C654A006	1	6	F654A040	3	40	F654C010	7	10
C654A009	1	9	F654A042	3	42	F654C011	7	11
C654A013	1	13	F654A043	3	43	F654C013	7	13
C654A014	1	14	F654A049	3	49	F654C014	7	14
C654A015	1	15	F654A050	5	16	F654C015	7	15
C654A017	1	17	F654A052	5	14	F654C016	7	16
C654A018	1	18	F654A054	3	54	F654C017	7	17
C654A022	5	18	F654A055	5	4	F654C018	7	18
C654A023	3	23	F654A063	3	63	F654C019	7	19
C654A024	5	19	F654A064	3	64	F654C020	7	20
C654A025	5	20	F654A065	3	65	F654C021	7	21
C654A026	3	26	F654B020A	3	20	F654C022	7	22
C654A034	3	34	F654B020B	3	20	F654C023	7	23
C654A039	3	39	F654B020C	3	20	F654C024	7	24
C654A041	3	41	F654B020D	3	20	F654C025	7	25
C654A046	3	46	F654B020E	3	20	F654C027	7	27
C654A047	3	47	F654B020F	3	20	F654D001	9	1
C654A051	5	15	F654B020G	3	20	F654D002	9	2
C654A053	5	13	F654B020H	3	20	F654D003	9	3
C654A059	3	59	F654B021	5	1	F654D004	9	4
C654A060	5	23	F654B038	3	38	F654D005	9	5
C654A061	5	24	F654B044	3	44	F654D006	9	6
C654A257	1	25	F654B045A	3	45	F654D007	9	7
C654B048	5	17	F654B045B	3	45	F654D008	9	8
C654B057	5	12	F654B045C	3	45	F654D009	9	9
C654B066	1	20	F654B045D	3	45	F654D010	9	10
C654B067	1	21	F654B056	3	56	F654D011	9	11
C654B072	3	72	F654B058	5	2	F654D012	9	12
C654B081	5	22	F654B062	5	5	F654D013	9	13
F654A002	1	2	F654B071	3	71	F654D014	9	14
F654A004	1	4	F654B074	5	3	F654D015	9	15
F654A007	1	7	F654B075	5	25	F654D016	9	16
F654A008	1	8	F654B076	5	8	F654D017	9	17
F654A010	1	10	F654B077	5	6	F654D018	9	18
F654A011	1	11	F654B078	5	7	F654D019	9	19
F654A012	1	12	F654B079	5	10	F654D020	9	20
F654A016	1	16	F654B080	5	11	F654D021	9	21
F654A019	1	19	F654B082	1	24	F654D022	9	22
F654A027	5	21	F654B082	3	82	F654D023	9	23
F654A028	3	28	F654C001	7	1	F654D024	9	24
F654A029	3	29	F654C002	7	2	F654D025	9	25
F654A030	3	30	F654C004	7	4	F654D026	9	26
F654A031	3	31	F654C005	7	5	F654D027	9	27
F654A032	3	32	F654C006	7	6	F654D028	9	28

NUMERICAL INDEX

PART N#	PAGE N#	REF N#	PART N#	PAGE N#	REF N#	PART N#	PAGE N#	REF N#
F654D029	9	29	F654E024	11	24			
F654D030	9	30	F654E025	11	25			
F654D031	9	31	F654E026	11	26			
F654D032	9	32	F654E027	11	27			
F654D033	9	33	F654E028	11	28			
F654D034	9	34	F654E029	11	29			
F654D035	9	35	F654E030	11	30			
F654D036	9	36	F654E031	11	31			
F654D037	9	37	F654E032	11	32			
F654D038	9	38	F654E033	11	33			
F654D039	9	39	F654E034	11	34			
F654D040	9	40	F654E035	11	35			
F654D041	9	41	F654E036	11	36			
F654D042	9	42	F654E037	11	37			
F654D043	9	43	F654E038	11	38			
F654D044	9	44	F654E039	11	39			
F654D045	9	45	F654E040	11	40			
F654D046	9	46	F654E041	11	41			
F654D047	9	47	F654E042	11	42			
F654D048	9	48	F654E043	11	43			
F654D049	9	49	F654E044	11	44			
F654D050	9	50	F654E045	11	45			
F654D051	9	51	F654E046	11	46			
F654D052	9	52	F654E047	11	47			
F654E001	11	1	F654E048	11	48			
F654E002	11	2	F654E049	11	49			
F654E003	11	3	F654E050	11	50			
F654E004	11	4	F654F001	7	1			
F654E005	11	5	F654F002	7	2			
F654E006	11	6	F654F003	7	3			
F654E007	11	7	F654F004	1	23			
F654E008	11	8	F654F005	1	22			
F654E009	11	9	F654F007	7	26			
F654E010	11	10	F654F012	7	12			
F654E011	11	11	F654F015	7	3			
F654E012	11	12	F654F015	7	12			
F654E013	11	13	F654F021	7	3			
F654E014	11	14	F654F021	7	12			
F654E015	11	15	F654F026	5	9			
F654E016	11	16	F654F027	7	2			
F654E017	11	17	F654F028	7	1			
F654E018	11	18	F654F052	7	1			
F654E019	11	19	F654F053	7	2			
F654E020	11	20	F654F054	7	3			
F654E021	11	21	F654F055	7	12			
F654E022	11	22	F654G001	9	53			
F654E023	11	23						